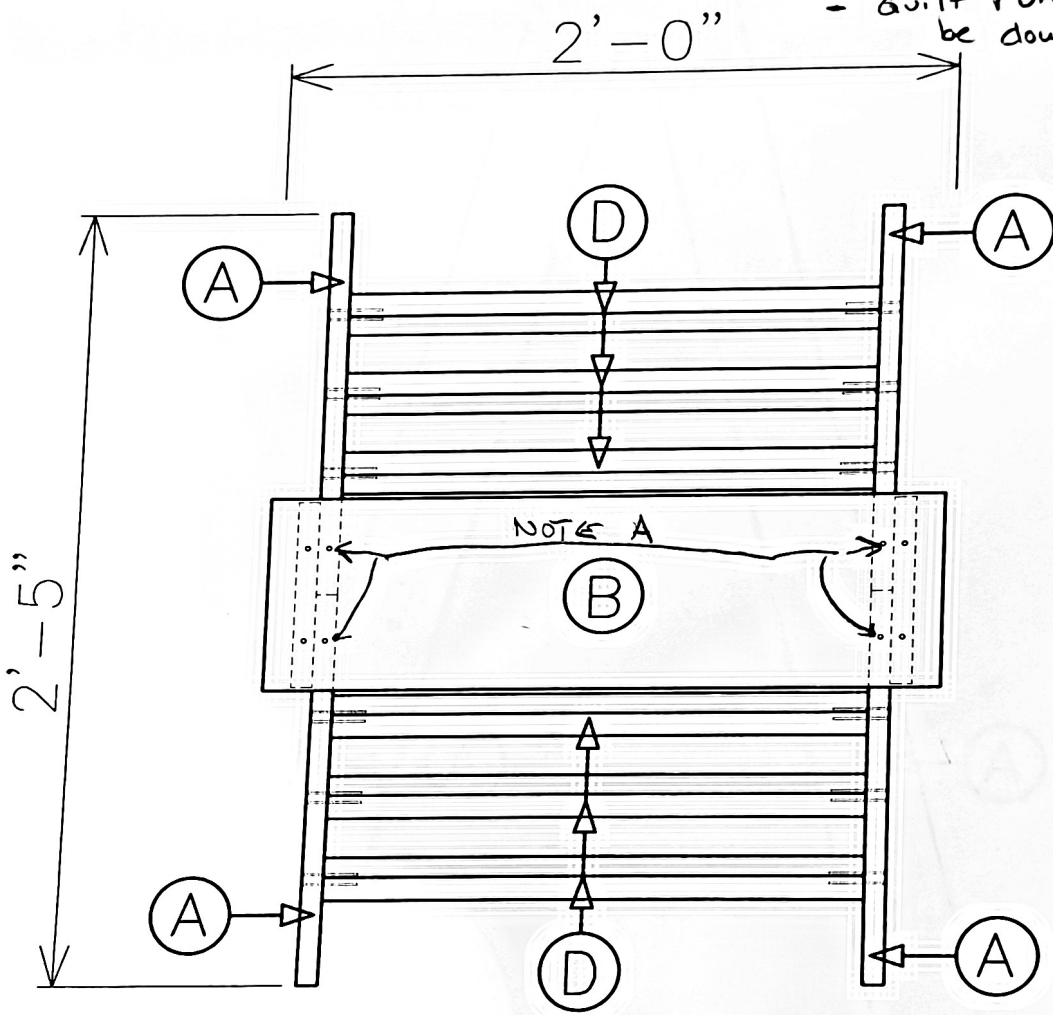


PLANS FOR QUILT RACK



Modification suggestions

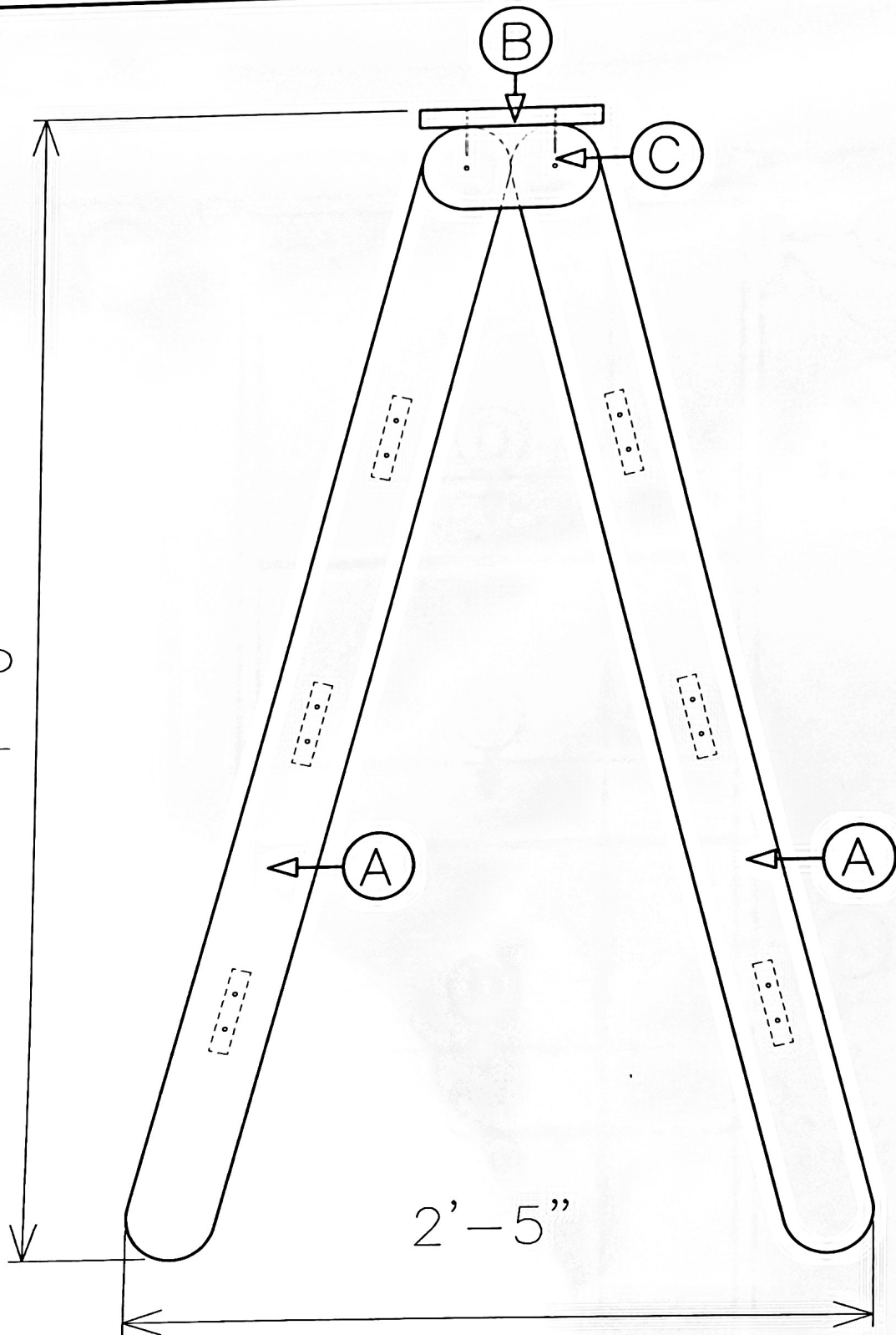
- Can be taller
- Can be wider
- make collapsable
- quilt rungs can be dowel or 2x2



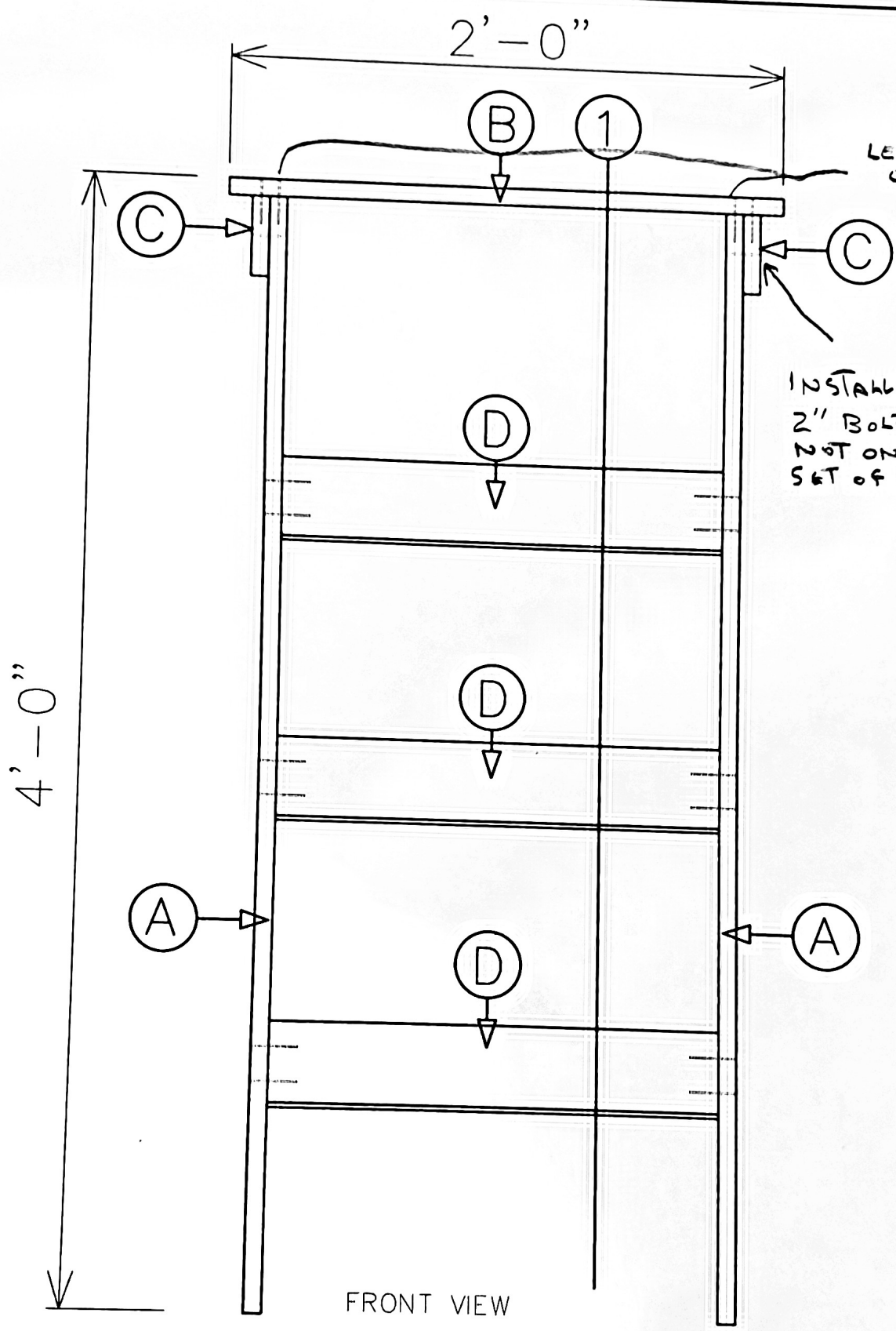
PLAN VIEW

NOTE A: LEFT THESE SCREWS OUT
to make collapsable

4'-0"



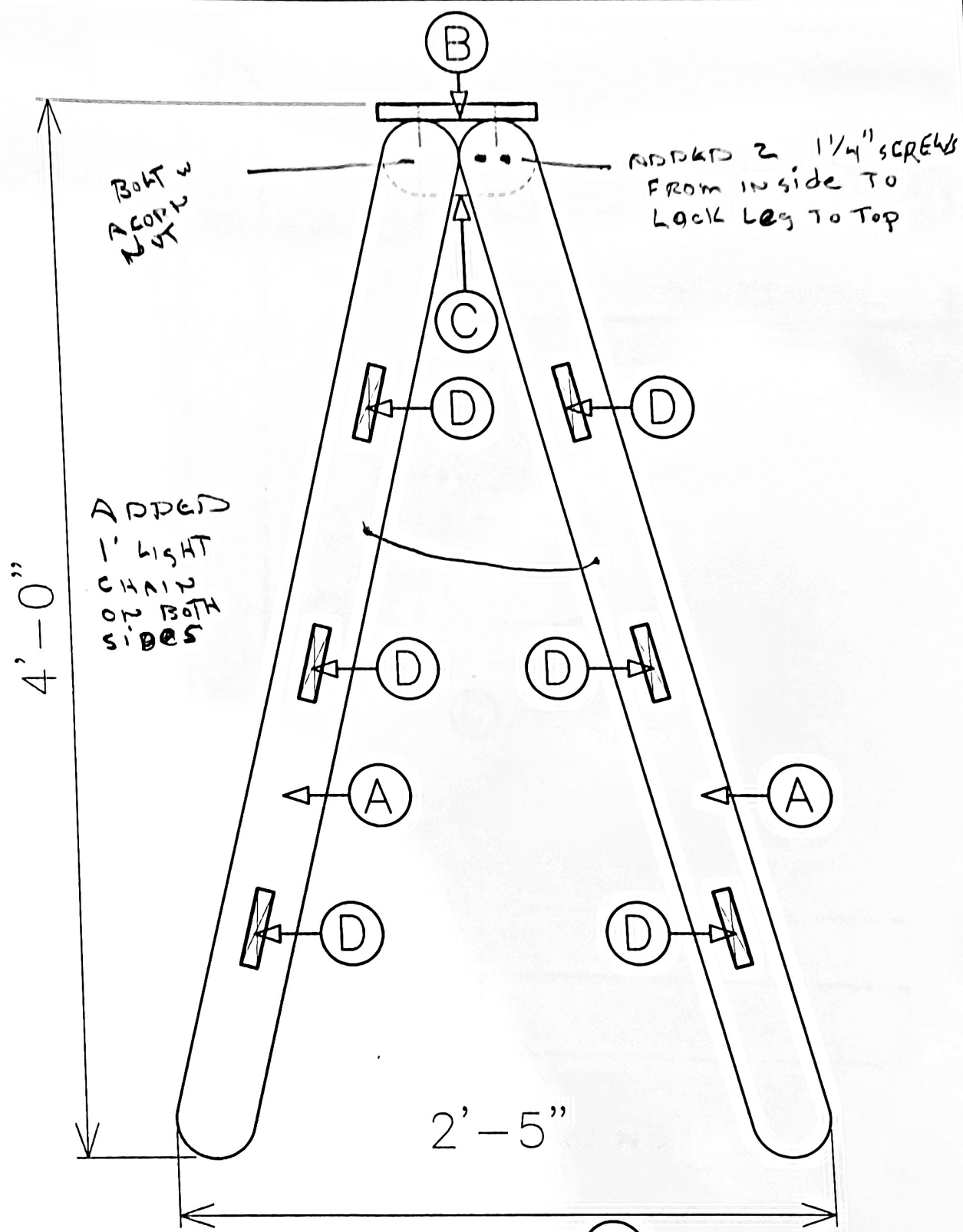
SIDE VIEW



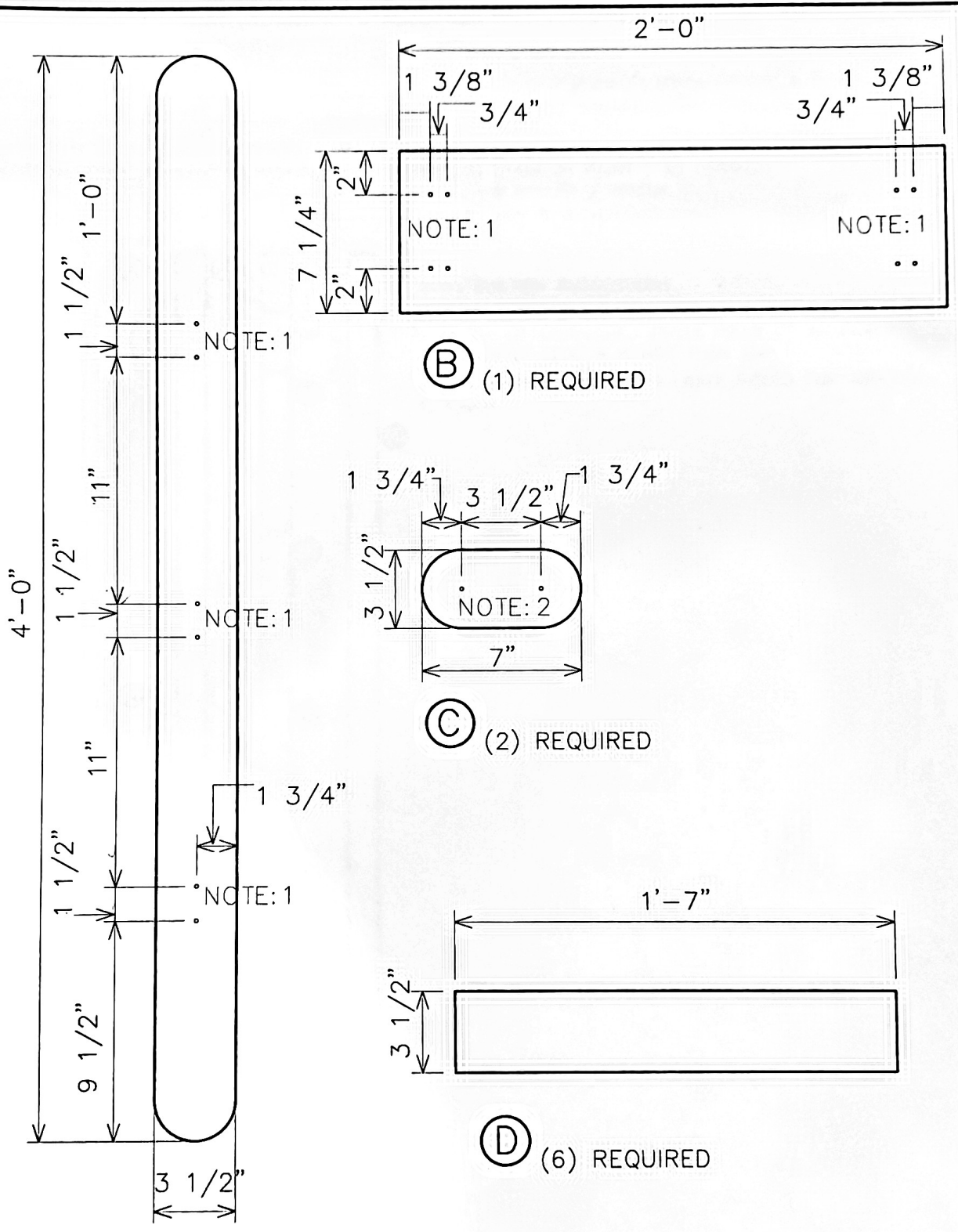
LEFT THESE
OUT FROM
Page 1

INSTALLED
2" BOLT & ALORIN
NOT ON ONE
SET OF LEGS

FRONT VIEW



SECTION VIEW **1**



NOTE: 1

NOTE: 1

NOTE: 1

(B) (1) REQUIRED

NOTE: 1

NOTE: 2

(C) (2) REQUIRED

NOTE: 1

(D) (6) REQUIRED

NOTE: 1- PREDRILL FOR 2" WOOD SCREW
 NOTE: 2- PREDRILL FOR 1 1/4" WOOD SCREW

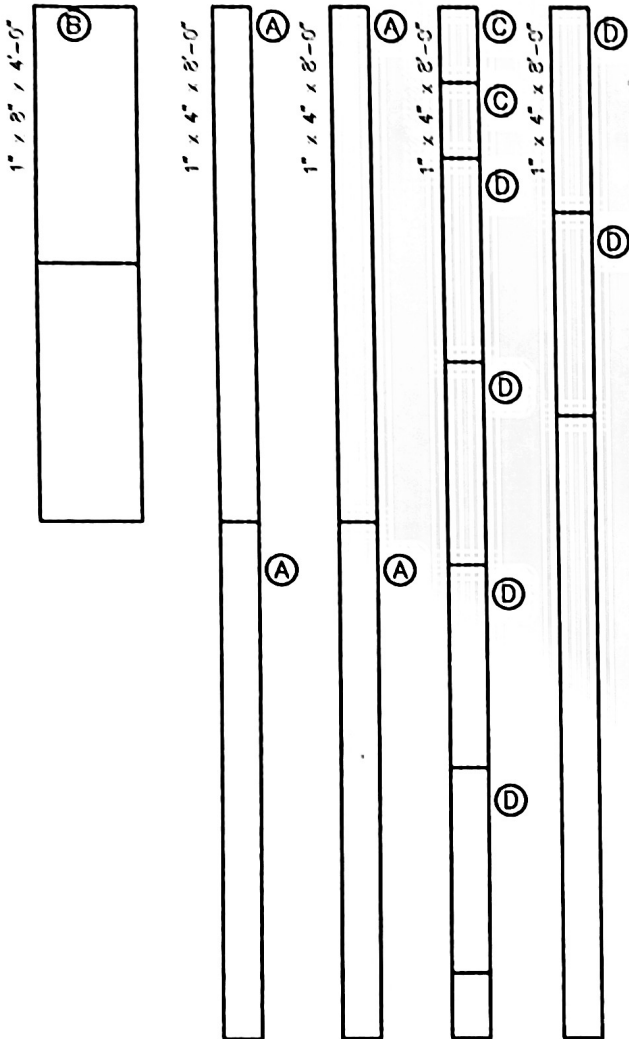
MATERIAL LIST, QUILT RACK

QUANTITY	MATERIAL
1	1" x 8" x 4'-0"
4	1" x 4" x 8'-0"
32	2" WOOD SCREWS
4	1 1/4" WOOD SCREWS

TOOLS NEEDED

- 1) JIG SAW / CIRCULAR SAW/DRILL & BITS
- 2) FRAMING SQUARE / SPEED SQUARE
- 3) LEVEL
- 4) TAPE MEASURE & PENCIL
- 5) STAIN OR PAINT (AS DESIRED)
& ROLLER / BRUSH
- 6) SCREW DRIVER

WOOD PARTS LAYOUT DIAGRAM



CONSTRUCTION SUGGESTIONS

- *1) PREPAINT / STAIN WOOD PRIOR TO CUTTING
TOUCH UP UNFINISHED EDGES PRIOR TO ASSEMBLY
- 2) ASSEMBLE LEGS & RUNGS THEN TOP
- 3) USE MARKING TAPE AND LABEL PIECES FOR ASSEMBLY
- 4) ENJOY